

# HVATALJKE

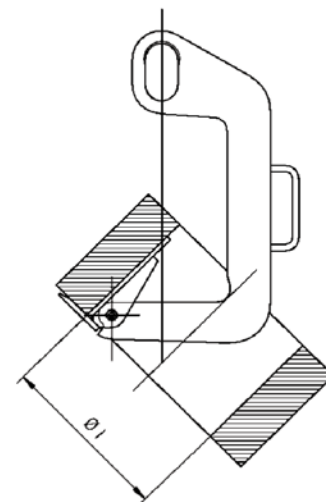
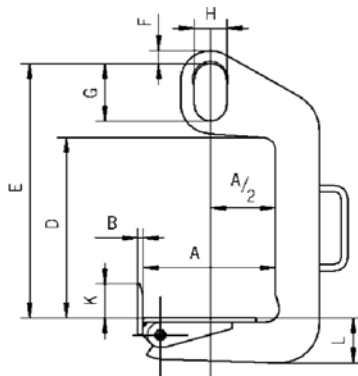


## 1. Hvataljka TCS Coil tilt hook TCS



Kuka nagibna za kaleme je univerzalno primijenjiva C kuka. Zahvaljujući koso nagnutom nosu, lako može prihvatiti kaleme postavljene u ležeći ili okomiti položaj. Preko koso nagnutog nosa kuke, kalem se može potpuno sigurno okrenuti za 90°.

*Coil tilting hook is a universally applicable C-hook. It can take up placings due to its tiltable tilting nose Coils both lying or standing up. Over the tilting nose of the hook the Coil is swivelled absoult surely by 90°.*



Model Model	Nosivost Working Load Limit	Širina kalema Coil width	Širina kalema Coil width	Dimenzije Dimensions											Težina Weight
	t	A <sub>min</sub> mm	A <sub>max</sub> mm	Ø I mm	B mm	C mm	D mm	E mm	F mm	G mm	H mm	K mm	L mm	T mm	kg
TCS 0,5/120	0,50	50	120	220	10	60	330	470	20	110	60	50	45	20	9,0
TCS 0,5/200	0,50	100	200	300	10	60	330	470	20	110	60	50	50	20	9,6
TCS 1,0/200	1,00	100	200	300	10	80	460	600	20	110	60	60	65	25	15,4
TCS 1,0/300	1,00	200	300	400	10	80	460	600	20	110	60	60	70	25	20,0
TCS 2,0/200	2,00	100	200	300	12	90	420	600	30	135	75	80	85	30	24,8
TCS 2,0/300	2,00	200	300	400	12	90	420	600	30	135	75	80	95	30	33,4
TCS 3,0/200	3,00	100	200	300	15	100	610	820	40	160	90	100	100	35	45,0
TCS 3,0/300	3,00	200	300	400	15	100	610	820	40	160	90	100	110	35	51,0

## 2. Magnetske hvataljke Permanent magnetic lifting



Artikl Item no.	Nosivost Rated lifting capacity	Dimenzije Dimensions				Prekidno opterećenje Max breakaway force	Težina Weight
		L	B	H	R		
	kg	mm	mm	mm	mm	N	kg
PML-1	100	92	62	67	126	350	3
PML-3	300	162	92	91	150	1050	10
PML-6	600	232	122	117	196	2100	24
PML-10	1000	258	176	163	284	3500	50
PML-20	2000	378	234	212	426	7000	125
PML-30	3000	458	286	264	521	10500	220
PML-60	6000	600	430	355	180	21000	420

## 3. Hvataljka za lim horizontalna QP-A Lifting clamp QP-A



Model Model	Nosivost Working Load Limit	Otvor čeljusti Opening size	Ispitno opterećenje Test load
	kg	mm	kN
QP-0.75A	750	0 - 45	15
QP-1.5A	1500	0 - 45	30
QP-2.5A	2500	0 - 45	50

## 4. Hvataljka za lim horizontalna QP-B



Model Model	Nosivost Capacity	Otvor čeljusti Opening size	Ispitno opterećenje Test load
	kg	mm	kN
QP-0.75B	750	0 - 25	15
QP-1.5B	1500	0 - 25	30
QP-2.5B	2500	0 - 45	50

## 5. Hvataljka za lim univerzalna QC-A Lifting clamp QC-A



	Nosivost Capacity	Maksimaln otvor čeljusti Max. Jaw opening	Ispitno opterećenje Test load
	kg	mm	kN
QC-0.5A	500	0-15	10
QC-1A	1000	0-20	20
QC-2A	2000	0-25	40
QC-3A	3000	0-30	60
QC-5A	5000	0-50	100

## 6. Hvataljka za lim vertikalna QC-B Lifting clamp QC-B



Model Model	Nosivost Capacity	Max. otvor čeljusti Max. Jaw opening	Ispitno opterećenje Test load
	kg	mm	kN
QC-1B	1000	0 - 20	20
QC-2B	2000	0 - 25	40
QC-3B	3000	0 - 30	60
QC-5B	5000	0 - 50	100



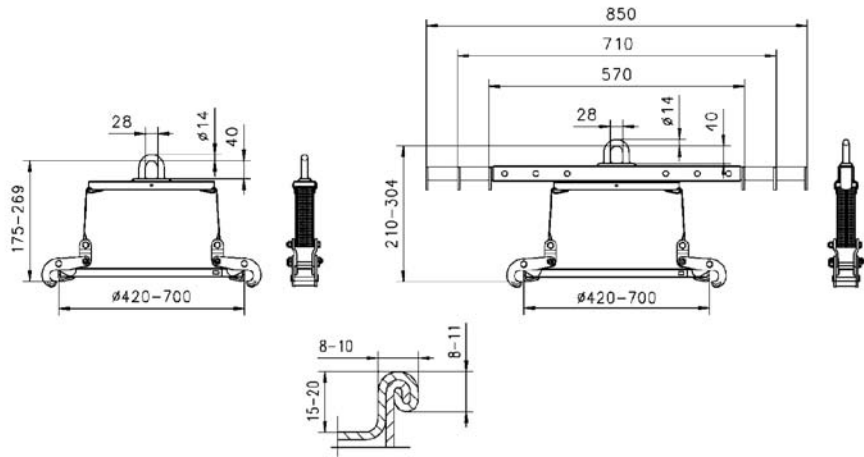
**Mogućnost isporuke hvataljki nosivosti 5000 in 6000 kg**  
Possible delivery of lifting hoists with capacity 5000 and 6000 kg

## 7. Hvataljka profila Beam clamp



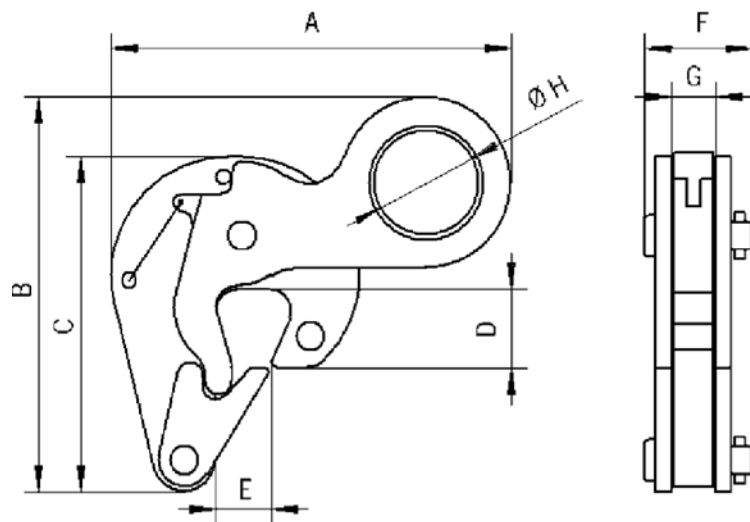
Model Model	Nosivost Capacity	Otvor čeljusti Flange width	Težina Weight
	kg	mm	Kg
RL20-0801	1000	75-220	4,5
RL20-0802	2000	75-220	5,0
RL20-0803	3000	80-220	10,5
RL20-0804	5000	80-220	11,0

## 8. Hvataljka za bačve TFA 0,35/700 R i TFA 0,35/700 TR Lifting clamp for steel drums TFA 0,35/700 R and TFA 0,35/700 TR



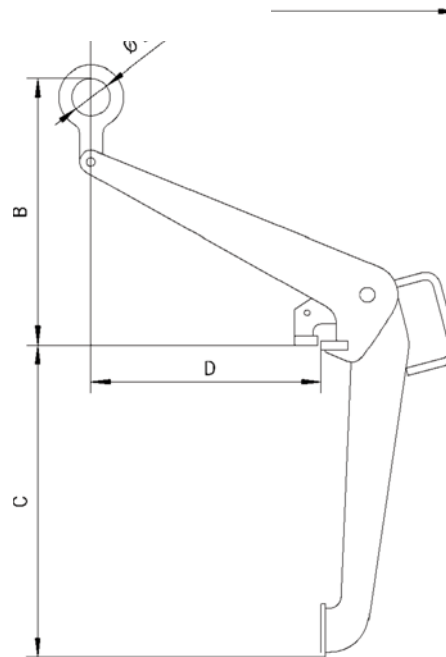
Model Model	Nosivost Working Load Limit	Raspon obuhvata Grip span Z	Težina Weight
	t	mm	kg
TFA 0,35/700 R	0,35	420-700	5,7
TFA 0,35/700 TR	0,35	420-700	9,2

## 9. Hvataljka za bačve TFRK Lifting clamp for steel drums TFRK



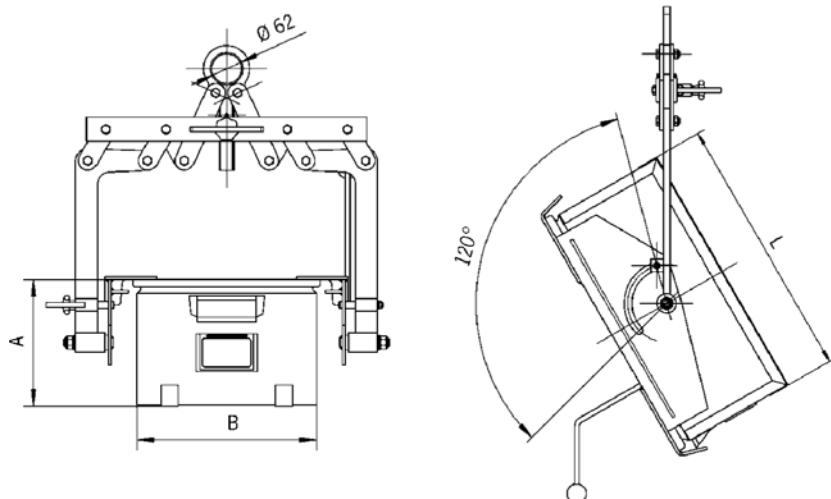
Model Model	Nosivost Working Load Limit	Dimenzije Dimensions								Težina Weight
	t	A	B	C	D	E	F	G	$\phi H$	kg
TFRK	0,50	152	150	127	30	21	41	17	40	1,5

## 10. Hvataljka za bačve TFK Lifting clamp for steel drums TFK



Model Model	Nosivost Working Load Limit	Dimenzije Dimensions					Težina Weight
		A	B	C	D	ØE	
t		mm	mm	mm	mm	mm	kg
TFK	0,50	479	350	410	300	50	7,3

## 11. Hvataljka za kutije TKA-d Lifting clamp for boxes TKA-d



Model Model	Nosivost Working Load Limit	Dimenzije Dimensions			Težina Weight
		A	B	C	
t		mm	mm	mm	kg
TKA 0,15/330 d	0,15	465-540	315-330	200-300	25,8
TKA 0,15/480 d	0,15	550-660	470-480	300	26,0

## 12. Hvataljka za transport betonskih cijevi BTG

*Lifting clamp for concrete tubes*

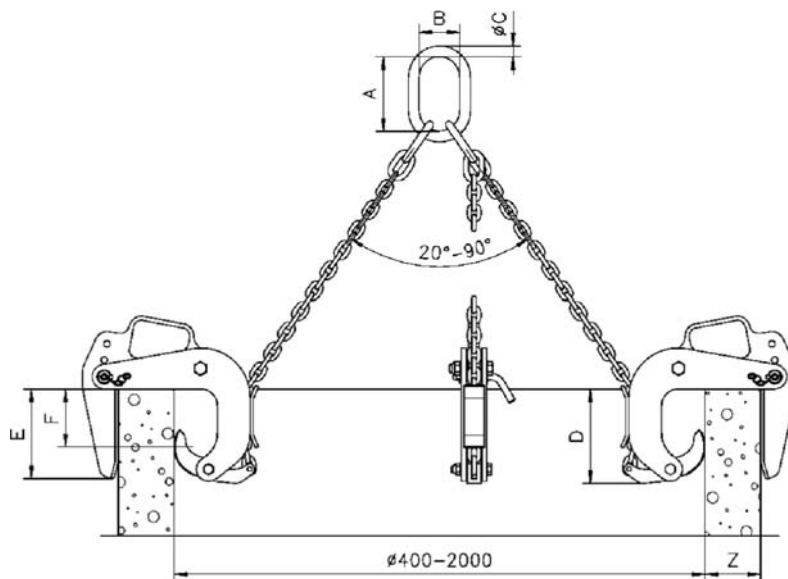


Hvataljka za vertikalni transport betonskih cijevi i prstenastih predmeta, mora biti potpuno sigurna i jednostavna za rukovanje. Prihvat za transport betonskih cijevi u svakom pogledu odgovara tim zahtjevima. Trostruka priveznica potpuno sigurno i pažljivo može prenositi betonske cijevi promjera 2000 mm i težine 3 t. Raspon hvataljki je dovoljan za debljinu stijenke cijevi od 40-200 mm.

**Za betonske cijevi u skladu je sa DIN 4034. Na zahtjev, mogu se dobiti hvataljke za betonske cijevi promjera do 3000 mm!**

*Slinging means for the vertical transport of concrete pipes and shaft rings must have many characteristics. It must be particularly under hardest operating conditions always absolutely safe and simple in the handling. The Tigrip concrete pipe Transport pendant corresponds to these requirements in all points. Triple line assigned, it can transport concrete pipes to fi 2000 mm and 3t weight absolutely surely and carefully. The grab ranges of the clamps are enough for pipe wall thicknesses of 40 - 200 mm.*

**For concrete pipes according to DIN 4034. On request also for concrete pipes up to diameters 3000 mm available!**



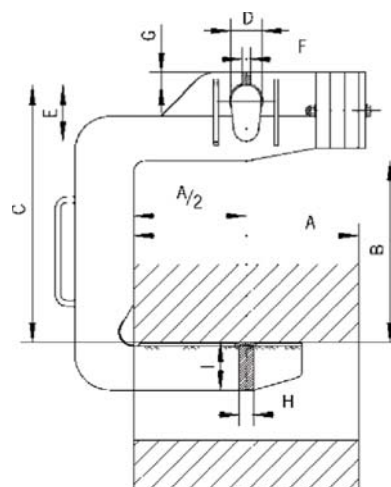
Model Model	Nosivost Working Load Limit	Obuhvat Grip Z	Dubina Depth E	Tlačna linija Pressure line F	Dimenzije Dimensions				Težina Weight
					A	B	$\varnothing C$	D	
	t	mm	mm	mm	mm	mm	mm	mm	kg
BTG 1,5/120	1,50	40 - 120	165	100	135	75	18	180	35,0
BTG 3,0/180 TM-N	3,00	50 - 180	245	175	180	100	26	310	90,0
BTG 3,0/220 TM-N	3,00	90 - 220	245	175	180	100	26	310	94,0

### 13. C-kuka TCK C-hook TCK



Kolute, svitke, bunteve, obruče, prstene i slično, sigurno i racionalno transportiramo prihvatom tj. C kukom. Dužina i visina za upotrebu prikazanog tipa sa protuutegom predviđa često mijenjanje utega, za različite vrste i veličine opterećenja.

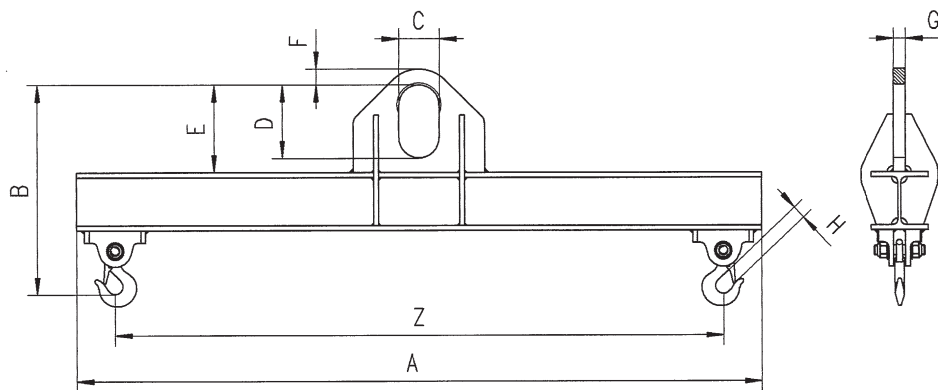
Coils, roles, rings, sockets and such things are transported by Tigrip C-hook rationally and surely. Tine length and useful height of the shown countering weight types consider the frequently occurring Coil sizes with the different loads.



Model Model	Nosivost Working Load Limit	Širina spirale Coil width A	Koristna visina Use height B	Dimenzije Dimensions							Težina Weight kg
				C	D	E	F	G	H	I	
TCK 0,5/300	0,50	300	400	570	60	120	20	25	20	50	21,0
TCK 0,5/500	0,50	500	400	580	60	120	20	23	20	65	30,0
TCK 0,5/800	0,50	800	400	580	60	120	25	23	25	70	46,0
TCK 1,0/300	1,00	300	450	620	60	120	25	23	20	70	28,0
TCK 1,0/500	1,00	500	450	630	60	120	20	23	25	80	40,0
TCK 1,0/800	1,00	800	450	630	60	120	30	23	30	90	95,0
TCK 2,0/300	2,00	300	500	700	75	150	25	38	25	90	45,0
TCK 2,0/500	2,00	500	500	700	75	150	30	38	30	110	90,0
TCK 2,0/800	2,00	800	500	720	75	150	30	38	30	125	140,0
TCK 2,0/1000	2,00	1000	500	720	75	150	20	35	40	125	180,0
TCK 3,0/300	3,00	300	500	700	75	150	30	38	30	105	68,0
TCK 3,0/500	3,00	500	500	700	75	150	20	40	30	125	127,0
TCK 3,0/800	3,00	800	500	720	75	150	25	40	40	140	165,0
TCK 3,0/1000	3,00	1000	500	720	75	150	20	40	40	155	215,0
TCK 5,0/500	5,00	500	550	800	100	200	25	45	40	145	184,0
TCK 5,0/800	5,00	800	550	800	100	200	30	45	50	160	238,0
TCK 5,0/1000	5,00	1000	550	820	100	200	30	45	50	180	286,0
TCK 5,0/1250	5,00	1250	550	820	100	200	30	45	50	200	364,0
TCK 7,5/800	7,50	800	600	900	110	220	35	50	50	200	390,0
TCK 7,5/1000	7,50	1000	600	900	110	220	35	50	60	200	520,0
TCK 7,5/1250	7,50	1250	600	900	110	220	35	45	60	220	650,0
TCK 7,5/1500	7,50	1500	600	920	110	220	35	50	70	220	767,0
TCK 10,0/1000	10,00	1000	650	980	130	250	40	50	70	220	772,0
TCK 10,0/1250	10,00	1250	650	1000	130	250	45	55	70	240	810,0
TCK 10,0/1500	10,00	1500	650	1000	130	250	45	55	80	240	980,0

## 14. Greda za dizanje tereta, izvedba TTS-E bez nastavaka Cross beam hook TTS-E without adjustment

Artikla nema na skladištu - isporuka po narudžbi!

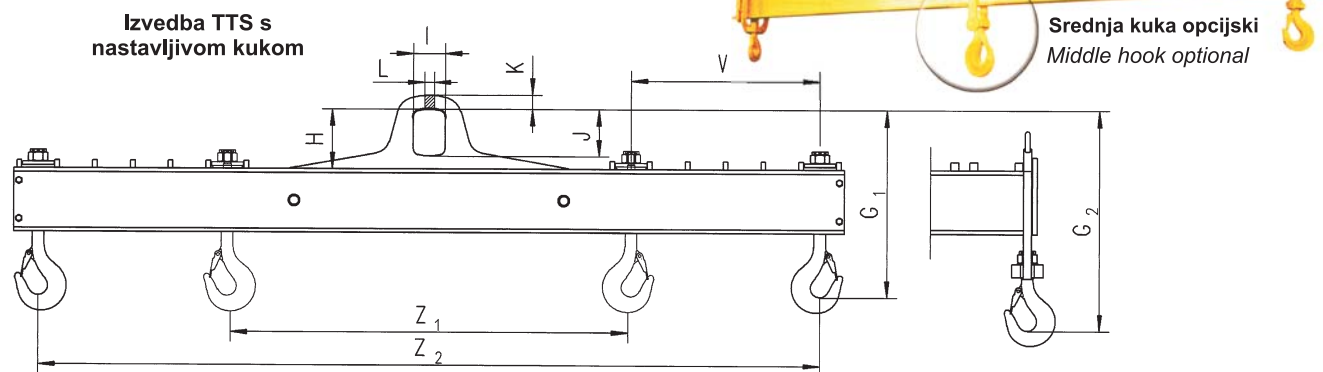


Model Model	Nosivost Working Load Limit	Raspon držanja Grip span Z	Dimenzije Dimensions								Težina Weight
			A	B	C	D	E	F	G	H	
	t	mm	mm	mm	mm	mm	mm	mm	mm	mm	kg
TTS 1,0/1000 E	1,00	1000	1140	355	60	110	130	25	15	20	19,0
TTS 2,0/1000 E	2,00	1000	1140	385	75	135	160	28	20	25	21,0
TTS 3,0/1000 E	3,00	1000	1140	455	90	160	190	35	25	25	30,0
TTS 5,0/1000 E	5,00	1000	1190	490	100	180	215	40	30	25	54,0
TTS 7,5/1000 E	7,50	1000	1190	615	140	260	300	45	35	34	81,0
TTS 10,0/1000 E	10,00	1000	1190	640	140	260	305	50	40	42	98,0
TTS 1,0/1500 E	1,00	1500	1640	355	60	110	130	25	15	20	25,0
TTS 2,0/1500 E	2,00	1500	1640	405	75	135	160	28	20	25	33,0
TTS 3,0/1500 E	3,00	1500	1640	435	90	160	190	35	25	25	58,0
TTS 5,0/1500 E	5,00	1500	1690	510	100	180	215	40	30	25	81,0
TTS 7,5/1500 E	7,50	1500	1690	635	140	260	300	45	35	34	115,0
TTS 10,0/1500 E	10,00	1500	1690	660	140	260	305	50	40	42	143,0
TTS 1,0/2500 E	1,00	2500	2640	375	60	110	130	25	15	20	45,0
TTS 2,0/2500 E	2,00	2500	2640	385	75	135	160	28	20	25	80,0
TTS 3,0/2500 E	3,00	2500	2640	455	90	160	190	35	25	25	104,0
TTS 5,0/2500 E	5,00	2500	2690	550	100	180	215	40	30	25	165,0
TTS 7,5/2500 E	7,50	2500	2690	675	140	260	300	45	35	34	212,0
TTS 10,0/2500 E	10,00	2500	2690	700	140	260	305	50	40	42	246,0
TTS 1,0/3500 E	1,00	3500	3640	355	60	110	130	25	15	20	104,0
TTS 2,0/3500 E	2,00	3500	3640	405	75	135	160	28	20	25	133,0
TTS 3,0/3500 E	3,00	3500	3640	475	90	160	190	35	25	25	172,0
TTS 5,0/3500 E	5,00	3500	3690	570	100	180	215	40	30	25	255,0
TTS 7,5/3500 E	7,50	3500	3690	695	140	260	300	45	35	34	313,0
TTS 10,0/3500 E	10,00	3500	3690	740	140	260	305	50	40	42	402,0
TTS 1,0/5000 E	1,00	5000	5140	375	60	110	130	25	15	20	182,0
TTS 2,0/5000 E	2,00	5000	5140	425	75	135	160	28	20	25	230,0
TTS 3,0/5000 E	3,00	5000	5140	495	90	160	190	35	25	25	280,0
TTS 5,0/5000 E	5,00	5000	5190	590	100	180	215	40	30	25	402,0
TTS 7,5/5000 E	7,50	5000	5190	735	140	260	300	45	35	34	537,0
TTS 10,0/5000 E	10,00	5000	5190	760	140	260	305	50	40	42	596,0

## 15. Greda za nošenje, izvedba TTS s nastavljivom kukom

Cross beam hook TTS with adjustable hook

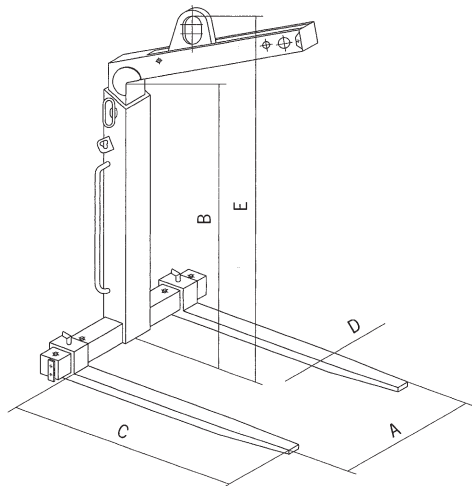
Artikla nema na skladištu - isporuka po narudžbi!



Model Model	Nosivost Working Load Limit	Raspon držanja Grip span		Dimenzije Dimensions								Teinža Weight
		Z <sub>1</sub>	Z <sub>2</sub>	G1	G2	H	I	J	K	L	V	
t	mm	mm	mm	mm	mm	mm	mm	mm	mm	mm	mm	kg
TTS 1,0/1500	1,00	930	1500	315	-	100	60	80	28	20	3x95	38,0
TTS 2,0/1500	2,00	930	1500	350	-	120	60	90	33	25	3x95	52,0
TTS 3,0/1500	3,00	810	1500	410	-	140	80	100	35	30	3x115	83,0
TTS 5,0/1500	5,00	810	1500	500	-	190	100	150	40	30	3x115	109,0
TTS 7,5/1500	7,50	750	1500	570	-	230	130	170	60	30	3x125	135,0
TTS 10,0/1500	10,00	690	1500	630	-	250	130	180	70	30	3x135	152,0
TTS 12,5/1500	12,50	900	1500	-	820	280	130	180	75	40	3x100	164,0
TTS 15,0/1500	15,00	900	1500	-	900	300	140	200	80	40	3x100	182,0
TTS 20,0/1500	20,00	960	1500	-	1000	340	160	220	90	50	2x135	215,0
TTS 25,0/1500	25,00	960	1500	-	1070	340	160	220	100	50	2x135	270,0
TTS 1,0/2500	1,00	1550	2500	315	-	100	60	80	28	20	5x95	62,0
TTS 2,0/2500	2,00	1550	2500	370	-	120	60	90	33	25	5x95	88,0
TTS 3,0/2500	3,00	1350	2500	430	-	140	80	100	35	30	5x115	130,0
TTS 5,0/2500	5,00	1350	2500	520	-	220	100	150	40	30	5x115	163,0
TTS 7,5/2500	7,50	1250	2500	610	-	250	130	170	60	30	5x125	205,0
TTS 10,0/2500	10,00	1150	2500	670	-	260	130	180	70	30	5x135	243,0
TTS 12,5/2500	12,50	1300	2500	-	860	280	130	180	75	40	6x100	254,0
TTS 15,0/2500	15,00	1300	2500	-	960	300	140	200	80	40	6x100	316,0
TTS 20,0/2500	20,00	1420	2500	-	1080	340	160	220	90	50	4x135	384,0
TTS 25,0/2500	25,00	1420	2500	-	1150	340	160	220	100	50	4x135	392,0
TTS 1,0/3500	1,00	2170	3500	330	-	100	60	80	28	20	7x95	90,0
TTS 2,0/3500	2,00	2170	3500	390	-	120	60	90	33	25	7x95	132,0
TTS 3,0/3500	3,00	1890	3500	450	-	140	80	100	35	30	7x115	166,0
TTS 5,0/3500	5,00	1890	3500	560	-	190	100	150	40	30	7x115	235,0
TTS 7,5/3500	7,50	1750	3500	630	-	230	130	170	60	30	7x125	280,0
TTS 10,0/3500	10,00	1610	3500	690	-	250	130	180	70	30	7x135	332,0
TTS 12,5/3500	12,50	1700	3500	-	900	320	130	180	75	40	9x100	387,0
TTS 15,0/3500	15,00	1700	3500	-	1165	310	140	200	80	40	9x100	467,0
TTS 20,0/3500	20,00	1610	3500	-	1160	340	160	220	90	50	7x135	598,0
TTS 25,0/3500	25,00	1610	3500	-	1230	340	160	220	100	50	7x135	716,0
TTS 1,0/5000	1,00	2000	5000	-	745	400	60	80	28	20	15x100	206,0
TTS 2,0/5000	2,00	2000	5000	-	795	410	60	90	33	25	15x100	280,0
TTS 3,0/5000	3,00	2000	5000	-	855	420	80	100	35	30	15x100	330,0
TTS 5,0/5000	5,00	2000	5000	-	975	470	100	150	40	30	15x100	460,0
TTS 7,5/5000	7,50	2000	5000	-	1070	490	130	170	60	30	15x100	560,0
TTS 10,0/5000	10,00	2000	5000	-	1135	500	130	180	70	30	15x100	610,0
TTS 12,5/5000	12,50	2300	5000	-	1245	500	130	180	75	40	10x135	660,0
TTS 15,0/5000	15,00	2300	5000	-	1275	530	140	200	80	40	10x135	870,0
TTS 20,0/5000	20,00	2300	5000	-	1415	530	160	220	90	50	10x135	1070,0
TTS 1,0/8000	1,00	3000	8000	-	835	400	60	80	28	20	25x100	377,0
TTS 2,0/8000	2,00	3000	8000	-	915	410	60	90	33	25	25x100	502,0
TTS 3,0/8000	3,00	3000	8000	-	1055	420	80	100	35	30	25x100	657,0
TTS 5,0/8000	5,00	3000	8000	-	1130	470	100	150	40	30	25x100	847,0
TTS 7,5/8000	7,50	3000	8000	-	1235	490	130	170	60	30	25x100	1165,0
TTS 10,0/8000	10,00	3000	8000	-	1290	500	130	180	70	30	25x100	1238,0
TTS 12,5/8000	12,50	3140	8000	-	1355	500	130	180	75	40	18x135	1453,0
TTS 15,0/8000	15,00	3140	8000	-	1355	530	140	200	80	40	18x135	1580,0

## 16. Viličar ovjesni za dizanje TKG vhs Cran forks TKG vhs

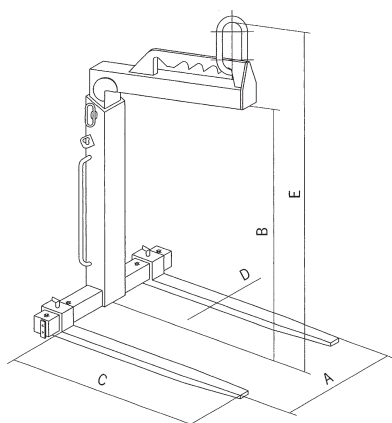
Artikla nema na skladištu - isporuka po narudžbi!



Model	Nosivost	Nastavljivost vilica	Uporabna visina	Dužina vilica	Presjek vilica	Ukupna visina	Težina
Model	Working Load Limit	Fork switching position	Useful height	Fork length	Fork cross section	Overall height	Weight
	t	A	B	C	D	E	kg
		mm	mm	mm	mm	mm	
TKG 1,0 vhs	0,2-1,0	350-900	1100-1600	1000	100x30	1420-1920	140,0
TKG 1,5 vhs	0,3-1,5	350-900	1300-2000	1000	100x40	1650-2350	142,0
TKG 2,0 vhs	0,4-2,0	400-900	1300-2000	1000	120x40	1655-2355	220,0
TKG 3,0 vhs	0,6-3,0	450-900	1300-2000	1000	120x50	1720-2420	280,0
TKG 5,0 vhs	1,0-5,0	500-1000	1300-2000	1000	150x60	1710-2410	380,0

## 17. Viličar ovjesni za dizanje TKG vh Cran forks TKG vh

Artikla nema na skladištu - isporuka po narudžbi!



Model	Nosivost	Nastavljivost vilica	Uporabna visina	Dužina vilica	Presjek vilica	Ukupna visina	Težina
Model	Working Load Limit	Fork switching position	Useful height	Fork length	Fork cross section	Overall height	Weight
	t	A	B	C	D	E	kg
		mm	mm	mm	mm	mm	
TKG 1,0 vh	1,00	350-900	1100-1600	1000	100x30	1390-1890	130,0
TKG 1,5 vh	1,50	350-900	1300-2000	1000	100x40	1600-2300	150,0
TKG 2,0 vh	2,00	400-900	1300-2000	1000	120x40	1640-2340	200,0
TKG 3,0 vh	3,00	450-900	1300-2000	1000	120x50	1670-2370	250,0
TKG 5,0 vh	5,00	500-1000	1300-2000	1000	150x60	1700-2400	370,0