

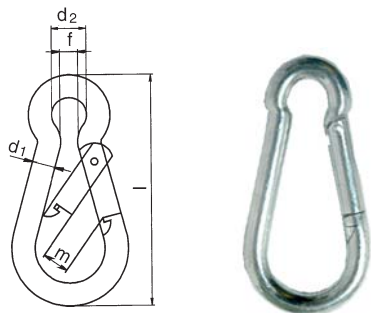
Elementi opće namjene



Provjerena kvaliteta

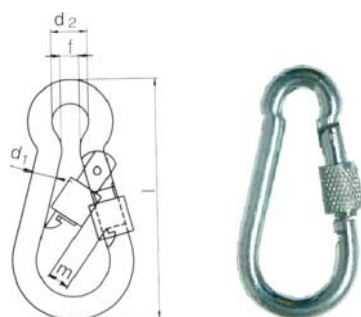


1. Karabiner vatrogasni Firemans-carabine link



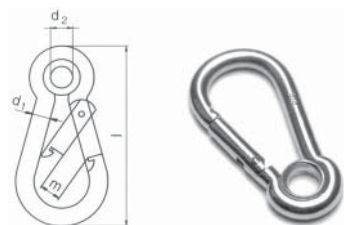
| Br. artikla Art. No. | Ng ns | Dimenzije prema slici Measurements according to figure | | | Nosivost WLL t |
|-------------------------|----------|---|---------|---------|----------------------|
| | | d ₂ mm | l mm | m mm | |
| 3130606 V | 60 x 6 | 6 | 60 | 8 | 0,120 |
| 3130707 V | 70 x 7 | 7 | 70 | 8 | 0,180 |
| 3130808 V | 80 x 8 | 8 | 80 | 9 | 0,230 |
| 3131001 V | 100 x 10 | 10 | 100 | 11 | 0,350 |
| 3131201 V | 120 x 11 | 11 | 120 | 16 | 0,450 |

2. Karabiner vatrogasni s maticom Firemans carabine with coil



| Br. artikla Art. No. | Ng ns | Dimenzije prema slici Measurements according to figure | | | | | Novnost WLL t |
|-------------------------|----------|---|----------------------|---------|---------|---------|---------------------|
| | | d ₁ mm | d ₂ mm | f mm | l mm | m mm | |
| 3120606 V | 60 x 6 | 6 | 9 | 5 | 60 | 8 | 0,120 |
| 3120707 V | 70 x 7 | 7 | 10 | 8 | 70 | 8 | 0,180 |
| 3120808 V | 80 x 8 | 8 | 10 | 8 | 80 | 9 | 0,230 |
| 3121001 V | 100 x 10 | 10 | 15 | 10 | 100 | 11 | 0,350 |
| 3121201 V | 120 x 11 | 11 | 18 | 11 | 120 | 16 | 0,450 |
| 3121401 V | 140 x 12 | 12 | 20 | 13 | 140 | 19 | 0,510 |

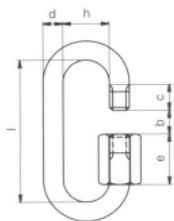
3. Karabiner vatrogasni s okom Carabine hook with eyelet



| Br. artikla Art. No. | Ng ns | Dimenzije prema slici Measurements according to figure | | | | | Novnost WLL t |
|-------------------------|----------|---|----------------------|---------|---------|---------|---------------------|
| | | d ₁ mm | d ₂ mm | f mm | l mm | m mm | |
| 3120606 V | 60 x 6 | 6 | 9 | 5 | 60 | 8 | 0,120 |
| 3120707 V | 70 x 7 | 7 | 10 | 8 | 70 | 8 | 0,180 |
| 3120808 V | 80 x 8 | 8 | 10 | 8 | 80 | 9 | 0,230 |
| 3121001 V | 100 x 10 | 10 | 15 | 10 | 100 | 11 | 0,350 |
| 3121201 V | 120 x 11 | 11 | 18 | 11 | 120 | 16 | 0,450 |
| 3121401 V | 140 x 12 | 12 | 20 | 13 | 140 | 19 | 0,510 |

4. Brza spojnica

Quick connecting link



| Br. artikla Art. No. | Dimenzije prema slici (mm) Measurements according to figure (mm) | | | | | | Nosivost (kg) WLL(kg) |
|-------------------------|--|-----|------|------|------|------|-----------------------------|
| | d | c | e | l | h | b | |
| 1800031 V | 3,5 | 2,0 | 11,0 | 29,0 | 10,0 | 5,0 | 50 |
| 1800041 V | 4 | 2,5 | 12,5 | 31,5 | 11,5 | 5,5 | 90 |
| 1800051 V | 5 | 3,0 | 16,0 | 39,5 | 13,0 | 6,5 | 140 |
| 1800061 V | 6 | 4,0 | 19,0 | 45,0 | 14,5 | 7,5 | 200 |
| 1800071 V | 7 | 5,0 | 21,5 | 52,0 | 16,0 | 8,5 | 275 |
| 1800081 V | 8 | 5,5 | 24,0 | 58,0 | 17,5 | 11,0 | 350 |
| 1800091 V | 9 | 6,0 | 26,0 | 62,0 | 19,0 | 11,0 | 450 |
| 1800101 V | 10 | 7,0 | 29,0 | 69,0 | 20,5 | 12,0 | 550 |
| 1800121 V | 12 | 8,5 | 33,0 | 80,5 | 23,5 | 15,0 | 750 |
| 1800141 V | 14 | 9,5 | 38,5 | 93,0 | 26,5 | 17,0 | 1100 |

| Br. artikla Art. No. | Dimenzije prema slici (mm) Measurements according to figure (mm) | | | | | | Nosivost (kg) WLL(kg) |
|-------------------------|--|-----|------|-------|------|------|-----------------------------|
| | d | c | e | l | h | b | |
| 1800032 V | 3,5 | 2,0 | 16,0 | 39,0 | 10,0 | 5,0 | 500 |
| 1800042 V | 4 | 2,5 | 19,0 | 45,0 | 11,5 | 5,5 | 900 |
| 1800052 V | 5 | 3,0 | 22,0 | 52,0 | 13,0 | 6,5 | 1400 |
| 1800062 V | 6 | 4,0 | 25,0 | 58,5 | 14,5 | 7,5 | 2000 |
| 1800072 V | 7 | 5,0 | 28,0 | 65,0 | 16,0 | 8,5 | 2750 |
| 1800082 V | 8 | 5,5 | 31,5 | 72,0 | 17,5 | 11,0 | 3500 |
| 1800092 V | 9 | 6,0 | 33,0 | 77,0 | 19,0 | 11,0 | 4500 |
| 1800102 V | 10 | 7,0 | 36,0 | 85,5 | 20,5 | 12,0 | 5500 |
| 1800122 V | 12 | 8,5 | 43,0 | 100,0 | 23,5 | 15,0 | 7500 |
| 1800142 V | 14 | 9,5 | 49,0 | 114,0 | 26,5 | 17,0 | 11000 |

5. Vrtuljak lijevani – karabiner

Carabine hook



| Br. artikla Art. No. | Ukupne dužine length | Nutarnji promjer prstena inside-Ø ring |
|-------------------------|----------------------------|--|
| 2741050 V | 50 | 10 |
| 2741075 V | 75 | 10 |
| 2741275 V | 75 | 12 |
| 2741678 V | 78 | 16 |
| 2742082 V | 82 | 20 |
| 2742110 V | 110 | 32 |

6. Vrtuljak lijevani – kuka

Carabine hook



| Br. artikla | Veličina (mm) | O.L. (mm) | Težina (kg/100kom.) |
|-------------|------------------|--------------|------------------------|
| RL13-1101 | 15.875 | 85 | 4.80 |
| RL13-1102 | 19.05 | 88 | 5.20 |
| RL13-1103 | 6.35 | 92 | 6.00 |

7. Karika za popravak

Repair link



| Br. artikla Art. No. | Veličina Size(mm) | O.L. (mm) | Težina N.W.(kg/100kom.) |
|-------------------------|----------------------|--------------|----------------------------|
| RL10-0101 | 1/8X3/4 | 19 | 0.60 |
| RL10-0102 | 3/16X1 | 25 | 1.40 |
| RL10-0103 | 7/32X1-1/4 | 32 | 2.30 |
| RL10-0104 | 1/4X1-1/4 | 32 | 3.00 |
| RL10-0105 | 1/4X1-1/2 | 38 | 3.60 |
| RL10-0106 | 5/16X1-1/2 | 38 | 6.00 |
| RL10-0107 | 3/8X1-5/8 | 42 | 10.00 |
| RL10-0108 | 3/8X2 | 50 | 11.00 |
| RL10-0109 | 1/2X2-1/2 | 64 | 25.50 |

8. Vijak s prstenom

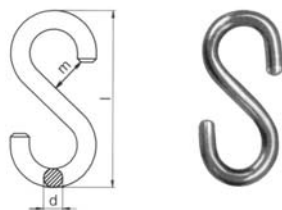
Ring bolt



| Br. artikla Art. No. | Veličina Size(mm) | O.L. mm | Veličina prstena Ring size(mm) | Težina N.W.(kg) |
|-------------------------|----------------------|------------|-----------------------------------|--------------------|
| RL10-1201 | 7,937 | 113 | 7x50 | 0.13 |

9. Kuka S

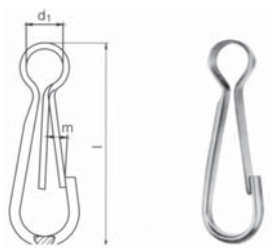
S - hook



| Br. artikla Art. No. | Dimenzije prema crtežu(mm) Measurements according to figure(mm) | | | Nosivost(t) WLL(t) |
|-------------------------|--|----|-----|-----------------------|
| | d | l | m | t |
| 73103027 | 3 | 25 | 3,5 | 0,040 |
| 73104040 | 4 | 35 | 4,0 | 0,060 |
| 73105040 | 5 | 45 | 5,0 | 0,080 |
| 73106050 | 6 | 55 | 6,0 | 0,100 |
| 73107065 | 7 | 65 | 8,0 | 0,200 |
| 73108070 | 8 | 75 | 9,5 | 0,300 |

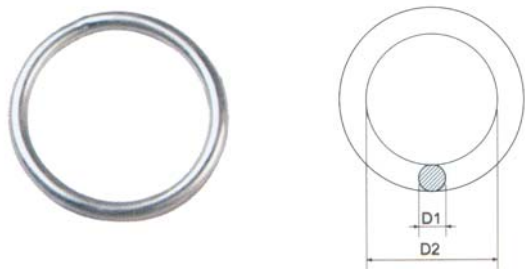
10. Karabiner – opružni

Simplex carabine hook



| Br. artikla Art. No. | Dimenzije prema crtežu(mm) Measurements according to figure(mm) | | |
|-------------------------|--|------|----------------|
| | l | m | d ₁ |
| 2850025 V | 25 | 3,5 | 5,5 |
| 2850030 V | 30 | 4,5 | 6,0 |
| 2850035 V | 35 | 5,0 | 6,5 |
| 2850040 V | 40 | 5,5 | 7,0 |
| 2850045 V | 45 | 6,0 | 8,0 |
| 2850050 V | 50 | 6,5 | 9,0 |
| 2850060 V | 60 | 7,5 | 10,0 |
| 2850070 V | 70 | 9,0 | 11,0 |
| 2850080 V | 80 | 10,0 | 12,0 |

11. Prsten ZN



| Prsten ZN Round ring | Težina Weight |
|-------------------------|------------------|
| ○ 4x27 | 0,000940 kg/kom |
| ○ 5x33 | 0,0180 kg/kom |
| ○ 6x35 | 0,030 kg/kom |
| ○ 7x41 | 0,050 kg/kom |
| ○ 8x45 | 0,080 kg/kom |
| ○ 10x50 | 0,11880 kg/kom |

12. Vijak za drvo s prstenom

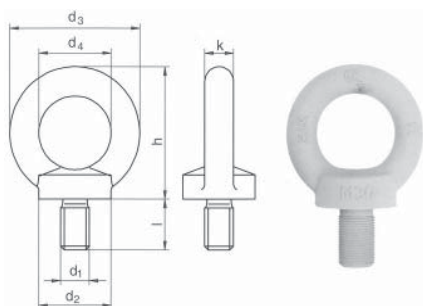
Ring bolt



| Br. artikla Art. No. | Veličina(inch) Size(mm) | O.L.(mm) O.L.(mm) | Veličina prstena(mm) Ring size(mm) | Težina(kg) N.W.(kg) |
|-------------------------|----------------------------|----------------------|---------------------------------------|------------------------|
| RL10-1101 | 7,937 | 90 | 7x50 | 0,13 |

13. Vijak okasti DIN 580

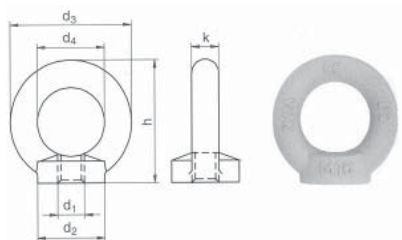
Eye coil DIN 580



| Br. artikla Art. No. | Dimenzije prema crtežu(mm) Measurements according to figure(mm) | | | | | | | Nosivost WLL2* WLL1* | |
|------------------------------------|--|----------------|----------------|----------------|----|-------|--------|-------------------------|---|
| | d ₁ | d ₂ | d ₃ | d ₄ | h | k | l | t | t |
| 66000120.1 ² M 12 x 1,5 | 30 | 54 | 30 | 53 | 12 | 20,5 | 0,240 | 0,360 | |
| 66000160.1 ² M 16 x 1,5 | 35 | 63 | 35 | 62 | 14 | 27,0 | 0,500 | 0,700 | |
| 66000200.1 M 20 x 2 | 40 | 72 | 40 | 71 | 16 | 30,0 | 0,830 | 1,200 | |
| 66000240.1 M 24 x 2 | 50 | 90 | 50 | 90 | 20 | 36,0 | 1,270 | 1,800 | |
| 66000300.1 M 30 x 2 | 65 | 108 | 60 | 109 | 24 | 45,0 | 2,600 | 3,600 | |
| 66000360.1 M 36 x 3 | 75 | 126 | 70 | 128 | 28 | 54,0 | 3,700 | 5,100 | |
| 66000420.1 M 42 x 3 | 85 | 144 | 80 | 147 | 32 | 63,0 | 5,000 | 7,000 | |
| 66000480.1 M 48 x 3 | 100 | 166 | 90 | 168 | 38 | 68,0 | 6,100 | 8,600 | |
| 66000560.1 M 56 x 4 | 110 | 184 | 100 | 187 | 42 | 78,0 | 8,300 | 11,500 | |
| 66000640.1 M 64 x 4 | 120 | 206 | 110 | 208 | 48 | 90,0 | 11,000 | 16,000 | |
| 66000720.1 M 72 x 4 | 150 | 260 | 140 | 260 | 60 | 100,0 | 15,000 | 21,000 | |
| 66000800.1 M 80 x 4 | 170 | 296 | 160 | 298 | 68 | 112,0 | 20,000 | 28,000 | |
| 66001000.1 M 100 x 4 | 190 | 330 | 180 | 330 | 75 | 130,0 | 27,000 | 38,000 | |

14. Matica okasta DIN 582

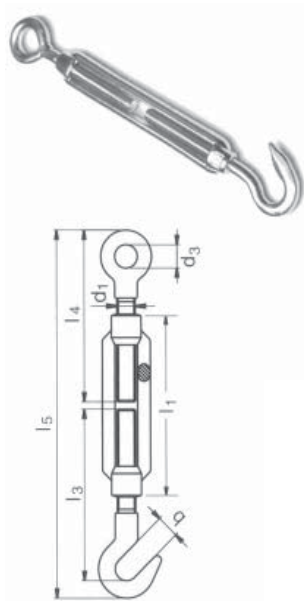
Eye nut DIN582



| Br. artikla Art. No. | Dimenzije prema crtežu(mm) Measurements according to figure(mm) | | | | | | Nosivost WLL2* WLL1* | |
|------------------------------------|--|----------------|----------------|----------------|----|---|-------------------------|--------|
| | d ₁ | d ₂ | d ₃ | d ₄ | h | k | t | t |
| 67000120.1 ² M 12 x 1,5 | 30 | 54 | 30 | 53 | 12 | | 0,240 | 0,360 |
| 67000160.1 ² M 16 x 1,5 | 35 | 63 | 35 | 62 | 14 | | 0,500 | 0,700 |
| 67000200.1 M 20 x 2 | 40 | 72 | 40 | 71 | 16 | | 0,830 | 1,200 |
| 67000240.1 M 24 x 2 | 50 | 90 | 50 | 90 | 20 | | 1,270 | 1,800 |
| 67000300.1 M 30 x 2 | 65 | 108 | 60 | 109 | 24 | | 2,600 | 3,600 |
| 67000360.1 M 36 x 3 | 75 | 126 | 70 | 128 | 28 | | 3,700 | 5,100 |
| 67000420.1 M 42 x 3 | 85 | 144 | 80 | 147 | 32 | | 5,000 | 7,000 |
| 67000480.1 M 48 x 3 | 100 | 166 | 90 | 168 | 38 | | 6,100 | 8,600 |
| 67000560.1 M 56 x 4 | 110 | 184 | 100 | 187 | 42 | | 8,300 | 11,500 |
| 67000640.1 M 64 x 4 | 120 | 206 | 110 | 208 | 48 | | 11,000 | 16,000 |
| 67000720.1 M 72 x 4 | 150 | 260 | 140 | 260 | 60 | | 15,000 | 21,000 |
| 67000800.1 M 80 x 4 | 170 | 296 | 160 | 298 | 68 | | 20,000 | 28,000 |
| 67001000.1 M 100 x 4 | 190 | 330 | 180 | 330 | 75 | | 27,000 | 38,000 |

15. Vijak natezni

Turnbuckle



kuka-oko

hook-eye

| Br. artikla Art. No. | Dimenzije prema slici(mm) measurements according to figure(mm) | | | | | | | Oznaka |
|-------------------------|---|----------------|----------------|----|----------------|----------------|----------------|--------|
| | d ₁ | l ₁ | d ₂ | b | l ₂ | l ₃ | l ₄ | |
| 91011300 | M 5 | 70 | 8 | 9 | 53 | 58 | 120-165 | 45 |
| 91011400 | M 6 | 110 | 10 | 10 | 85 | 80 | 172-252 | 80 |
| 91025160 | M 8 | 110 | 11 | 11 | 85 | 84 | 182-257 | 75 |
| 91033800 | M10 | 125 | 12 | 12 | 112 | 105 | 213-298 | 85 |
| 91041200 | M12 | 125 | 14 | 14 | 117 | 115 | 238-318 | 80 |
| 91055800 | M16 | 170 | 16 | 16 | 138 | 165 | 320-430 | 110 |

kuka-kuka

hook-hook

| Br. artikla Art. No. | Dimenzije prema slici(mm) measurements according to figure(mm) | | | | | Oznaka |
|-------------------------|---|----------------|----|----------------|----------------|--------|
| | d ₁ | l ₁ | b | l ₂ | l ₃ | |
| 91011302 | M 5 | 70 | 9 | 53 | 120-165 | 45 |
| 91011402 | M 6 | 110 | 10 | 85 | 180-260 | 80 |
| 91025162 | M 8 | 110 | 11 | 85 | 195-270 | 75 |
| 91033802 | M10 | 125 | 12 | 112 | 230-315 | 85 |
| 91041202 | M12 | 125 | 14 | 117 | 250-330 | 80 |
| 91055802 | M16 | 170 | 16 | 138 | 320-430 | 110 |

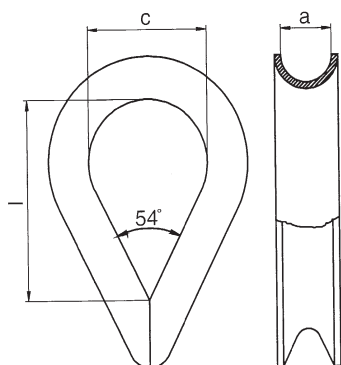
oko-oko

eye-eye

| Br. artikla Art. No. | Dimenzije prema slici(mm) measurements according to figure(mm) | | | | | Oznaka |
|-------------------------|---|----------------|----------------|----------------|----------------|--------|
| | d ₁ | l ₁ | d ₂ | l ₂ | l ₃ | |
| 91011301 | M 5 | 70 | 8 | 58 | 120-165 | 45 |
| 91011401 | M 6 | 110 | 10 | 80 | 167-247 | 80 |
| 91025161 | M 8 | 110 | 11 | 84 | 179-254 | 75 |
| 91033801 | M10 | 125 | 12 | 105 | 210-295 | 85 |
| 91041201 | M12 | 125 | 14 | 115 | 230-310 | 80 |
| 91055801 | M16 | 170 | 16 | 165 | 330-440 | 110 |

16. Jezgra užeta po DIN 6899

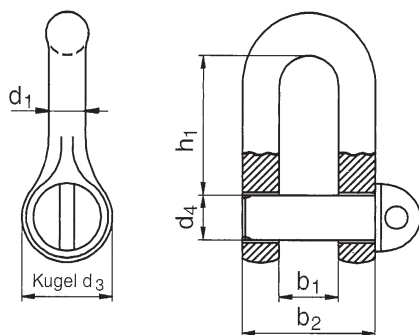
Steel thimble after DIN 6899



| Br. artikla Art. No. | uže - Ø rope - Ø | Dimenzije prema slici Measurements according to figure | | |
|-------------------------|---------------------|---|--------------------------|---|
| | | širina jezgre(a) switch opening (a) | dužina (l) length (l) | nutarnja širina (c) inside width (c) |
| | | mm | mm | mm |
| 2000300 | 2,5 | 3 | 19 | 12 |
| 2000400 | 3,5 | 4 | 21 | 13 |
| 2000500 | 4,0 | 5 | 23 | 14 |
| 2000600 | 5,0 | 6 | 25 | 16 |
| 2000700 | 6,0 | 7 | 28 | 18 |
| 2000800 | 7,0 | 8 | 32 | 20 |
| 20001000 | 9,0 | 10 | 38 | 24 |
| 20001200 | 11,0 | 12 | 45 | 28 |
| 20001300 | 12,0 | 13 | 48 | 30 |
| 20001400 | 13,0 | 14 | 51 | 32 |
| 20001600 | 15,0 | 16 | 58 | 36 |
| 20001800 | 16,0 | 18 | 64 | 40 |
| 20002000 | 18,0 | 20 | 72 | 45 |
| 20002200 | 20,0 | 22 | 80 | 50 |
| 20002400 | 22,0 | 24 | 90 | 56 |
| 20002600 | 24,0 | 26 | 99 | 62 |
| 20002800 | 26,0 | 28 | 112 | 70 |
| 20003000 | 28,0 | 30 | 120 | 75 |
| 20003200 | 30,0 | 32 | 128 | 80 |
| 20003400 | 32,0 | 34 | 152 | 95 |
| 20003600 | 34,0 | 36 | 160 | 100 |
| 20003800 | 36,0 | 38 | 176 | 110 |

17. Škopac DIN 82101, oblika A

Shackle DIN 82101, form A

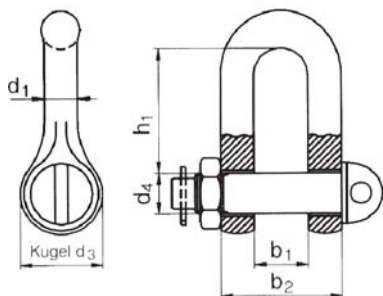


| Br. artikla Art. No. | Ng ns | Dimenzije prema slici Measurements according to figure | | | | | | Nosivost WLL |
|-------------------------|----------|---|-------|-------|-------|-------|-------|-----------------|
| | | b_1 | b_2 | d_1 | d_3 | d_4 | h_1 | |
| | | mm | mm | mm | mm | mm | mm | t |
| 0100010 V | 0,10 | 7 | 15 | 4 | 10 | 5 | 15,5 | |
| 0100016 V | 0,16 | 8 | 18 | 5 | 12 | 6 | 18,0 | 0,160 |
| 0100025 V | 0,25 | 11 | 25 | 7 | 16 | 8 | 24,0 | 0,250 |
| 0100040 V | 0,40 | 14 | 30 | 8 | 20 | 10 | 30,0 | 0,400 |
| 0100060 V | 0,60 | 17 | 37 | 10 | 24 | 12 | 36,0 | 0,630 |
| 0100100 V | 1,00 | 21 | 47 | 12 | 32 | 16 | 49,0 | 1,000 |
| 0100160 V | 1,60 | 27 | 61 | 16 | 40 | 20 | 61,0 | 1,600 |
| 0100200 V | 2,00 | 30 | 68 | 20 | 44 | 22 | 67,0 | 2,000 |
| 0100250 V | 2,50 | 33 | 75 | 22 | 48 | 24 | 73,0 | 2,500 |
| 0100300 V | 3,00 | 38 | 86 | 24 | 54 | 27 | 83,5 | 3,150 |
| 0100400 V | 4,00 | 42 | 96 | 27 | 60 | 30 | 91,0 | 4,000 |
| 0100500 V | 5,00 | 47 | 107 | 30 | 72 | 36 | 111,0 | 5,000 |



18. Škopac DIN 82101, oblika C

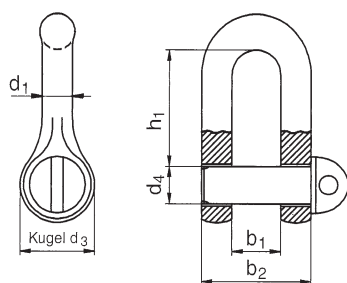
Shackle DIN 82101, form C



| Br. artikla Art. No. | Ng ns | Dimenzije prema slici Measurements according to figure | | | | | | Nosivost WLL |
|-------------------------|----------|---|-------|-------|-------|-------|-------|-----------------|
| | | b_1 | b_2 | d_1 | d_3 | d_4 | h_1 | |
| | | mm | mm | mm | mm | mm | mm | t |
| 0300100 V | 1,0 | 21 | 47 | 13 | 32 | 16 | 49,0 | 1,000 |
| 0300160 V | 1,6 | 27 | 61 | 17 | 40 | 20 | 61,0 | 1,600 |
| 0300200 V | 2,0 | 30 | 68 | 19 | 44 | 22 | 67,0 | 2,000 |
| 0300250 V | 2,5 | 33 | 75 | 21 | 48 | 24 | 73,0 | 2,500 |
| 0300300 V | 3,0 | 38 | 86 | 24 | 54 | 27 | 83,5 | 3,150 |
| 0300400 V | 4,0 | 42 | 96 | 27 | 60 | 30 | 91,0 | 4,000 |
| 0300500 V | 5,0 | 47 | 107 | 30 | 72 | 36 | 111,0 | 5,000 |

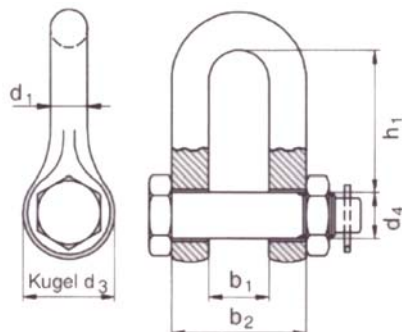


19. Škopac visokootporni - oblika A High tensile DEE shackle - form A



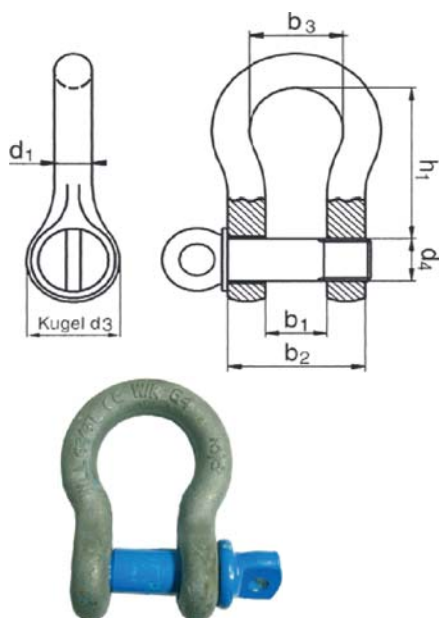
| Br. artikla Art. No. | Ng ns | Dimenzije prema slici Measurements according to figure | | | | | | Nosivost WLL t |
|-------------------------|----------|---|----------------|----------------|----------------|----------------|----------------|----------------------|
| | | b ₁ | b ₂ | d ₁ | d ₃ | d ₄ | h ₁ | |
| 14011401 | 1/4" | 12 | 26 | 6 | 17 | 8 | 22 | 0,500 |
| 14015161 | 5/16" | 13 | 29 | 8 | 21 | 10 | 26 | 0,750 |
| 14023801 | 3/8" | 16 | 36 | 10 | 26 | 12 | 31 | 1,000 |
| 14037161 | 7/16" | 18 | 40 | 11 | 28 | 14 | 36 | 1,500 |
| 14041201 | 1/2" | 21 | 47 | 13 | 30 | 16 | 41 | 2,000 |
| 14055801 | 5/8" | 27 | 59 | 16 | 42 | 20 | 51 | 3,250 |
| 14063401 | 3/4" | 32 | 70 | 19 | 48 | 22 | 60 | 4,750 |
| 14077801 | 7/8" | 36 | 80 | 22 | 57 | 27 | 71 | 6,500 |
| 14081001 | 1" | 43 | 93 | 25 | 62 | 28 | 81 | 8,500 |
| 14091181 | 1 1/8" | 46 | 104 | 29 | 69 | 33 | 90 | 9,500 |
| 14101141 | 1 1/4" | 52 | 116 | 32 | 78 | 36 | 100 | 12,000 |
| 14111381 | 1 3/8" | 57 | 127 | 35 | 86 | 39 | 113 | 13,500 |
| 14121121 | 1 1/2" | 60 | 136 | 38 | 94 | 42 | 124 | 17,000 |
| 14131341 | 1 3/4" | 73 | 161 | 44 | 112 | 52 | 146 | 25,000 |
| 14142001 | 2" | 83 | 185 | 51 | 135 | 60 | 171 | 35,000 |
| 14152121 | 2 1/2" | 106 | 232 | 63 | 158 | 72 | 203 | 55,000 |

20. Škopac visokootporni s maticom i osiguralom - oblika C High tensile DEE shackle with nut and safety latch - form C



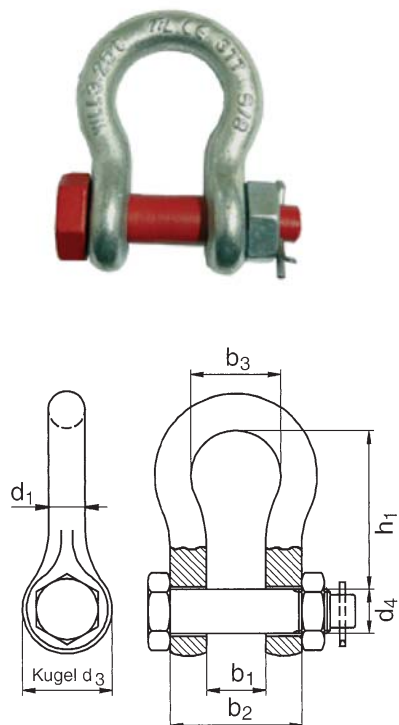
| Br. artikla Art. No. | Ng ns | Dimenzije prema slici Measurements according to figure | | | | | | Nosivost WLL t |
|-------------------------|----------|---|----------------|----------------|----------------|----------------|----------------|----------------------|
| | | b ₁ | b ₂ | d ₁ | d ₃ | d ₄ | h ₁ | |
| 14011403 | 1/4" | 12 | 26 | 6 | 17 | 8 | 22 | 0,500 |
| 14015163 | 5/16" | 13 | 29 | 8 | 21 | 10 | 26 | 0,750 |
| 14023803 | 3/8" | 16 | 36 | 10 | 26 | 12 | 31 | 1,000 |
| 14037163 | 7/16" | 18 | 40 | 11 | 28 | 14 | 36 | 1,500 |
| 14041203 | 1/2" | 21 | 47 | 13 | 30 | 16 | 41 | 2,000 |
| 14055803 | 5/8" | 27 | 59 | 16 | 42 | 19 | 51 | 3,250 |
| 14063403 | 3/4" | 32 | 70 | 19 | 48 | 22 | 60 | 4,750 |
| 14077803 | 7/8" | 36 | 80 | 22 | 57 | 25 | 71 | 6,500 |
| 14081003 | 1" | 43 | 93 | 25 | 62 | 28 | 81 | 8,500 |
| 14091183 | 1 1/8" | 46 | 104 | 29 | 69 | 32 | 90 | 9,500 |
| 14101143 | 1 1/4" | 52 | 116 | 32 | 78 | 35 | 100 | 12,000 |
| 14111383 | 1 3/8" | 57 | 127 | 35 | 86 | 38 | 113 | 13,500 |
| 14121123 | 1 1/2" | 60 | 136 | 38 | 94 | 42 | 124 | 17,000 |
| 14131343 | 1 3/4" | 73 | 161 | 44 | 112 | 50 | 146 | 25,000 |
| 14142003 | 2" | 83 | 185 | 51 | 127 | 55 | 171 | 35,000 |
| 14152123 | 2 1/2" | 105 | 232 | 64 | 152 | 70 | 203 | 55,000 |
| 14163003 | 3" | 127 | 279 | 76 | 200 | 82 | 216 | 85,000 |
| 14173123 | 3 1/2" | 133 | 317 | 89 | 203 | 95 | 253 | 120,000 |
| 14184003 | 4" | 140 | 348 | 102 | 226 | 107 | 250 | 150,000 |

21. Škopac visokootporni trbušasti - oblika A High tensile BOW shackle - form A



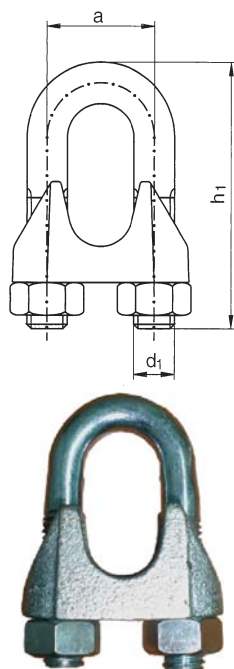
| Br. artikla Art. No. | Ng ns | Dimenzije prema slici Measurements according to figure | | | | | | | Nosivost WLL t |
|-------------------------|----------|---|----------------|----------------|----------------|----------------|----------------|----------------|----------------------|
| | | b ₁ | b ₂ | b ₃ | d ₁ | d ₃ | d ₄ | h ₁ | |
| 14011402 | 1/4" | 12 | 25 | 19 | 6 | 17 | 8 | 28 | 0,500 |
| 14015162 | 5/16" | 13 | 29 | 21 | 8 | 21 | 10 | 31 | 0,750 |
| 14023802 | 3/8" | 16 | 36 | 26 | 10 | 26 | 12 | 36 | 1,000 |
| 14037162 | 7/16" | 18 | 40 | 29 | 11 | 28 | 14 | 42 | 1,500 |
| 14041202 | 1/2" | 21 | 47 | 33 | 13 | 30 | 16 | 48 | 2,000 |
| 14055802 | 5/8" | 27 | 59 | 43 | 16 | 42 | 20 | 60 | 3,250 |
| 14063402 | 3/4" | 32 | 70 | 51 | 19 | 48 | 22 | 71 | 4,750 |
| 14077802 | 7/8" | 36 | 80 | 58 | 22 | 57 | 27 | 84 | 6,500 |
| 14081002 | 1" | 43 | 93 | 68 | 25 | 62 | 28 | 95 | 8,500 |
| 14091182 | 1 1/8" | 46 | 104 | 74 | 29 | 69 | 33 | 103 | 9,500 |
| 14101142 | 1 1/4" | 52 | 116 | 82 | 32 | 78 | 36 | 119 | 12,000 |
| 14111382 | 1 3/8" | 57 | 127 | 92 | 35 | 86 | 39 | 133 | 13,500 |
| 14121122 | 1 1/2" | 60 | 136 | 98 | 38 | 94 | 42 | 146 | 17,000 |
| 14131342 | 1 3/4" | 73 | 161 | 127 | 44 | 112 | 52 | 178 | 25,000 |
| 14142002 | 2" | 83 | 185 | 146 | 51 | 135 | 60 | 197 | 35,000 |
| 14152122 | 2 1/2" | 106 | 232 | 184 | 63 | 158 | 72 | 267 | 55,000 |

22. Škopac visokootporni trbušasti s maticom i osigurlom - oblika C High tensile BOW shackle with nut and safety latch - form C



| Br. artikla Art. No. | Ng ns | Dimenzije prema slici Measurements according to figure | | | | | | | Nosivost WLL t |
|-------------------------|----------|---|----------------|----------------|----------------|----------------|----------------|----------------|----------------------|
| | | b ₁ | b ₂ | b ₃ | d ₁ | d ₃ | d ₄ | h ₁ | |
| 14011404 | 1/4" | 12 | 25 | 19 | 6 | 17 | 8 | 28 | 0,500 |
| 14015164 | 5/16" | 13 | 29 | 21 | 8 | 21 | 10 | 31 | 0,750 |
| 14023804 | 3/8" | 16 | 36 | 26 | 10 | 26 | 12 | 36 | 1,000 |
| 14037164 | 7/16" | 18 | 40 | 29 | 11 | 28 | 14 | 42 | 1,500 |
| 14041204 | 1/2" | 21 | 47 | 33 | 13 | 30 | 16 | 48 | 2,000 |
| 14055804 | 5/8" | 27 | 59 | 43 | 16 | 42 | 20 | 60 | 3,250 |
| 14063404 | 3/4" | 32 | 70 | 51 | 19 | 48 | 22 | 71 | 4,750 |
| 14077804 | 7/8" | 36 | 80 | 58 | 22 | 57 | 27 | 84 | 6,500 |
| 14081004 | 1" | 43 | 93 | 68 | 25 | 62 | 28 | 95 | 8,500 |
| 14091184 | 1 1/8" | 46 | 104 | 74 | 29 | 69 | 33 | 109 | 9,500 |
| 14101144 | 1 1/4" | 52 | 116 | 82 | 32 | 78 | 36 | 119 | 12,000 |
| 14111384 | 1 3/8" | 57 | 127 | 92 | 35 | 86 | 39 | 133 | 13,500 |
| 14121124 | 1 1/2" | 60 | 136 | 98 | 38 | 94 | 42 | 146 | 17,000 |
| 14131344 | 1 3/4" | 73 | 161 | 127 | 44 | 112 | 52 | 178 | 25,000 |
| 14142004 | 2" | 83 | 185 | 146 | 51 | 127 | 55 | 197 | 35,000 |
| 14152124 | 2 1/2" | 105 | 232 | 184 | 64 | 152 | 70 | 267 | 55,000 |
| 14163004 | 3" | 127 | 279 | 200 | 76 | 200 | 82 | 330 | 85,000 |
| 14173124 | 3 1/2" | 137 | 321 | 232 | 92 | 220 | 95 | 374 | 120,000 |
| 14184004 | 4" | 145 | 353 | 250 | 104 | 240 | 108 | 372 | 150,000 |

23. Stezaljka užeta DIN 741 Malleable wire rope clip DIN 741



| Br. artikla Art. No. | Ng ns | uže - Ø rope - Ø | Dimenzije prema slici Measurements according to figure | | |
|-------------------------|----------|---------------------|---|----------------|----|
| | | | d ₁ | h ₁ | a |
| | | | mm | mm | mm |
| 21011800 | 1/8" | 3,0 | M 4 | 20 | 9 |
| 21023160 | 3/16" | 5,0 | M 5 | 24 | 11 |
| 21031400 | 1/4" | 6,5 | M 5 | 28 | 13 |
| 21045160 | 5/16" | 8,0 | M 6 | 34 | 16 |
| 21053800 | 3/8" | 9,5 | M 8 | 42 | 19 |
| 21067160 | 7/16" | 11,0 | M 8 | 44 | 20 |
| 21071200 | 1/2" | 13,0 | M 10 | 55 | 24 |
| 21089160 | 5/8" | 14,0 | M 10 | 57 | 25 |
| 21095800 | 3/4" | 16,0 | M 12 | 63 | 29 |
| 21103400 | 7/8" | 19,0 | M 12 | 75 | 32 |
| 21117800 | 1" | 22,0 | M 14 | 85 | 37 |
| 21121000 | 1 1/8" | 26,0 | M 14 | 95 | 41 |
| 21131180 | 1 1/4" | 30,0 | M 16 | 110 | 48 |
| 21141140 | 1 3/8" | 34,0 | M 16 | 120 | 52 |
| 21151120 | 1 1/2" | 40,0 | M 16 | 140 | 58 |
| 21161340 | 1 3/4" | 45,0 | M 18 | 165 | 65 |
| 21172000 | 2" | 50,0 | M 20 | 170 | 72 |

24. Osiguralo beta Hair pin



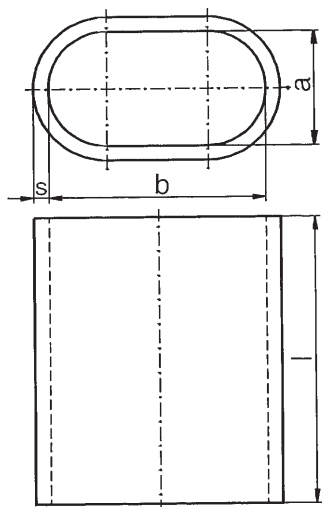
| Br. artikla | Veličina (mm) | težina (kg) |
|-------------|------------------|----------------|
| RL10-0901 | 50,8 | 0,25 |
| RL10-0902 | 63,5 | 0,40 |
| RL10-0903 | 76,2 | 0,60 |
| RL10-0904 | 93,98 | 1,10 |
| RL10-0905 | 101,6 | 1,95 |
| RL10-0906 | 127 | 2,50 |
| RL10-0907 | 152,4 | 2,80 |

25. Preklopni osigurač



| Preklopni osigurač | Bolcna a mm | Prsten b mm | Unutarnja širina prstena c mm | Dužina bolcne d mm | Težina kg/100 kom |
|--------------------|-------------------|-------------------|--|-----------------------------|----------------------|
| 27551 | 4.5 | 3.4 | 34 | 42 | 2 |
| 27552 | 6 | 3.4 | 41 | 42 | 2.8 |
| 27553 | 7 | 3.4 | 41 | 42 | 3 |
| 27554 | 8 | 3.4 | 41 | 42 | 3.5 |
| 27555 | 9 | 3.4 | 41 | 42 | 3.8 |
| 27556 | 10 | 3.4 | 41 | 42 | 4.4 |
| 27557 | 11 | 3.4 | 41 | 42 | 4.6 |

26. Spojnica aluminijska EN 13411-3 Aluminium sleeve EN 13411-3



| Br. artikla Art. No. | Br. spojnice Press Clip No. | Dimenzije prema slici Measurements according to figure | | | |
|-------------------------|--------------------------------|---|-------|-----|-------|
| | | a | b | l | s |
| | | mm | mm | mm | mm |
| 23000100 | 1,0 | 1,2 | 2,4 | 5 | 0,65 |
| 23000150 | 1,5 | 1,7 | 3,4 | 6 | 0,75 |
| 23000200 | 2,0 | 2,4 | 4,8 | 7 | 0,85 |
| 23000250 | 2,5 | 2,7 | 5,4 | 9 | 1,05 |
| 23000300 | 3,0 | 3,3 | 6,6 | 11 | 1,25 |
| 23000400 | 4,0 | 4,4 | 8,8 | 14 | 1,70 |
| 23000450 | 4,5 | 4,9 | 9,8 | 16 | 1,90 |
| 23000500 | 5,0 | 5,5 | 11,0 | 18 | 2,10 |
| 23000600 | 6,0 | 6,6 | 13,2 | 21 | 2,50 |
| 23000650 | 6,5 | 7,2 | 14,4 | 23 | 2,70 |
| 23000700 | 7,0 | 7,8 | 15,6 | 25 | 2,90 |
| 23000800 | 8,0 | 8,8 | 17,6 | 28 | 3,30 |
| 23000900 | 9,0 | 9,9 | 19,8 | 32 | 3,70 |
| 23001000 | 10,0 | 10,9 | 21,8 | 35 | 4,10 |
| 23001100 | 11,0 | 12,1 | 24,2 | 39 | 4,50 |
| 23001200 | 12,0 | 13,2 | 26,4 | 42 | 4,90 |
| 23001300 | 13,0 | 14,2 | 28,4 | 46 | 5,40 |
| 23001400 | 14,0 | 15,3 | 30,6 | 49 | 5,80 |
| 23001600 | 16,0 | 17,5 | 35,0 | 56 | 6,70 |
| 23001800 | 18,0 | 19,6 | 39,2 | 63 | 7,60 |
| 23002000 | 20,0 | 21,7 | 43,4 | 70 | 8,40 |
| 23002200 | 22,0 | 24,3 | 48,6 | 77 | 9,20 |
| 23002400 | 24,0 | 26,4 | 52,8 | 84 | 10,00 |
| 23002600 | 26,0 | 28,5 | 57,0 | 91 | 10,90 |
| 23002800 | 28,0 | 31,0 | 62,0 | 98 | 11,70 |
| 23003200 | 32,0 | 35,2 | 70,4 | 112 | 13,40 |
| 23003600 | 36,0 | 39,8 | 79,6 | 126 | 15,00 |
| 23004000 | 40,0 | 44,0 | 88,0 | 140 | 16,60 |
| 23004400 | 44,0 | 48,4 | 96,8 | 154 | 18,30 |
| 23004800 | 48,0 | 52,8 | 105,6 | 168 | 20,00 |
| 23005200 | 52,0 | 57,2 | 114,4 | 182 | 21,60 |
| 23005600 | 56,0 | 61,5 | 123,2 | 196 | 23,30 |
| 23006000 | 60,0 | 66,0 | 132,0 | 210 | 25,00 |